



Proudly Australian Built



Product Information

SMITHWELD ENTERPRISES PTY LTD

ROTARY EARTH CLAMP

Model SW-400-REC

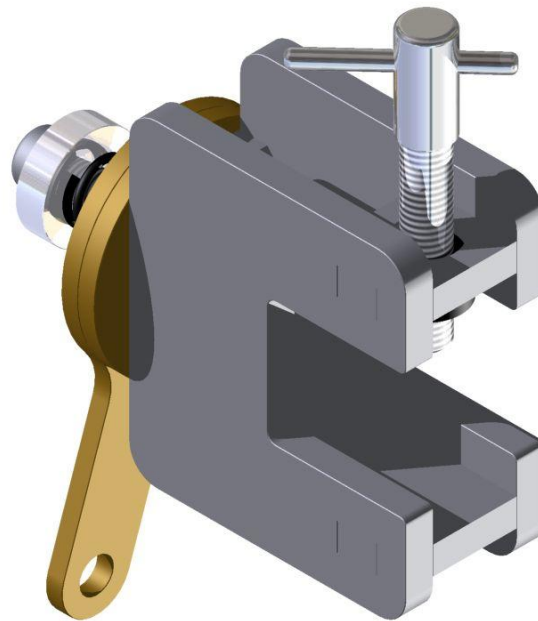
Features

- * "Quick clamping method"
No tools required.
- * Clamp pipe centrally in under
10 seconds
- * Amperage capacity 400A:
- * Clamp shape designed to
- * Bearing support to assist with
smooth rotation of earth strap.

Secure welding earth

Please note.

Grind the area clean free of scale
prior to fixing the clamp.



**Smithweld Enterprises
Pty Ltd**

227 Bank Street
Welshpool WA 6106

Tel: 61 8 9470 6670
Fax: 61 8 9470 6680

Email: sales@smithweld.com

General Dimensions

Main clamp size	100 x 100mm.
Jaw depth	40mm
Net Weight:	4kg

